

BSD120-EMERGENCY BOILER SHUT-DOWN

Pilla Electrical Products, Inc.



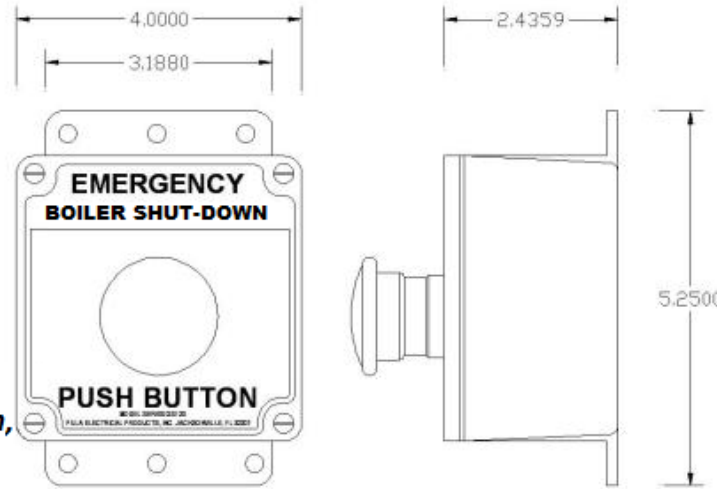
DESCRIPTION:

Maintained, push-pull mushroom operator, 40mm dia. red, with engraved white lettering: "PULL TO RESET"

Bold luminous legends. External mounting feet top & bottom.

NEMA 4, 4X, 12.

Contact block capacity: for standard depth 1-3 per station, for XD version 6 per station.



BSD120IL



BSD120CLM



BSD120RP



PILLNOCB



PILLNCCB

<p>RATED OPERATIONAL CHARACTERISTICS CONFORMING TO EC/EN 60947-5-1</p>	<p>AC SUPPLY: UTILIZATION CATEGORY AC-15</p>	<p>STANDARD BLOCKS (SINGLE OR DOUBLE) WITH SCREW CLAMP TERMINALS: A600: Ue=600Vac AND Ie=1.2 A OR Ue=240 Vac AND Ie= 3 A OR Ue = 120 Vac AND Ie = 6 A CONTINUOUS THERMAL CURRENT 10 A</p>	
	<p>DC SUPPLY: UTILIZATION CATEGORY DC-13</p>	<p>STANDARD SINGLE OR DOUBLE BLOCKS WITH SCREW CLAMP TERMINALS: Q600: Ue= 600VdC AND Ie = 0.1 A</p>	
		<p>24 Vdc</p>	<p>0.5 A</p>